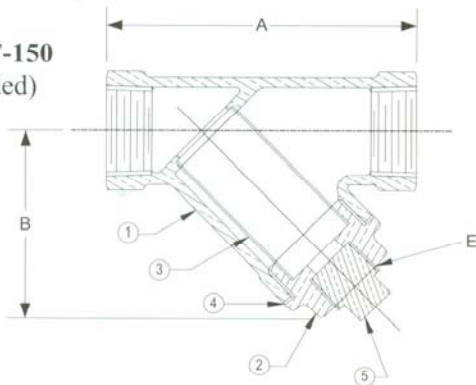


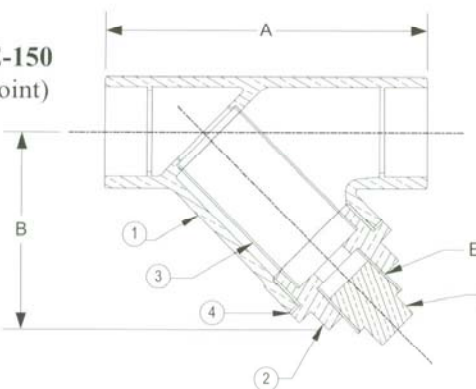


TECHNICAL DATA
DIMENSIONS AND WEIGHTS

STYLE F-150
(Threaded)



STYLE E-150
(Solder Joint)



Style F-150 & E-150

Y-Strainer, 125 lb. Threaded & Solder Joint
Cast Bronze (C84400)

PARTS LIST

ITEM	DESCRIPTION	MATERIAL
1	BODY	BRONZE (C84400)
2	CAP	BRONZE (C84400)
3	SCREEN	STAINLESS STEEL (304)
4	GASKET	COMPOSITION
5	PLUG	BRONZE (C84400)

STANDARD SCREENS SUPPLIED

SIZE		SCREEN GAGE	SCREEN PERFORATION						
in	mm		FOR STEAM		OPEN AREA	FOR LIQUID		OPEN AREA	
			in	mm		in	mm		
1/4 to 2	8 to 50		20 MESH STAINLESS STEEL						49%
2-1/2 & 3	65 & 80	28	3/64	1.2	33%	3/64	1.2	33%	

Options: Other meshes, perforations, and screen materials are available.

SIZE		DIMENSIONS												WEIGHTS			
		A				B				E				F-150		E-150	
		F-150		E-150		F-150		E-150		F-150		E-150					
in	mm	in	mm	in	mm	in	mm	in	mm	in	mm	in	mm	lbs	kgs	lbs	kgs
1/4	8	2-7/16	62	3-3/8	86	1-5/8	41	2-1/4	57	1/4	8	3/8	10	0.50	0.2	.75	0.3
3/8	10	2-9/16	65	3-3/8	86	1-5/8	41	2-1/4	57	1/4	8	3/8	10	0.50	0.2	.75	0.3
1/2	15	3-3/16	81	3-3/8	86	2-1/4	57	2-1/4	57	3/8	10	3/8	10	0.80	0.4	.75	0.3
3/4	20	3-15/16	100	4-1/4	108	2-5/8	67	2-5/8	67	3/8	10	3/8	10	1.20	0.5	1.00	0.5
1	25	4-1/2	114	5	127	3	76	3-3/16	81	1/2	15	1/2	15	1.80	0.8	2.25	1.0
1-1/4	32	5-5/16	135	5-7/8	149	3-9/16	90	3-3/4	95	1/2	15	1/2	15	2.70	1.2	2.75	1.2
1-1/2	40	6-3/16	157	6-7/8	175	4	102	4-1/8	105	1/2	15	1/2	15	3.60	1.6	3.25	1.5
2	50	7-7/16	189	8-5/8	219	4-5/8	117	5-1/8	130	1/2	15	1/2	15	5.60	2.5	5.75	2.6
2-1/2	65	9	229	10-3/8	264	5-1/2	140	5-3/4	146	1/2	15	1/2	15	10.00	4.5	8.5	3.9
3	80	10	254	11-3/4	298	6-1/8	156	6-1/2	165	1/2	15	1/2	15	13.50	6.1	12.5	5.7

Certified dimensional drawings are available upon request.

†This table reflects only the nearest metric equivalents.

FLOW COEFFICIENTS

Size	C _v	Size	C _v	Size	C _v
1/2"	9.5	1-1/4"	44.9	2-1/2"	129.7
3/4"	18.7	1-1/2"	61	3"	161.3
1"	30	2"	98		

TOTAL SCREEN AREA

Size	(in ²)	Size	(in ²)	Size	(in ²)
1/2"	3.09	1-1/4"	14.26	2-1/2"	46.98
3/4"	7.36	1-1/2"	19.94	3"	62.87
1"	9.54	2"	33.39		

*See DETERMINING RATIOS on page S5 of the Strainer Information Section for calculating NET FREE AREA of the screen to inside pipe area.

PRESSURE vs. TEMPERATURE CHART

125# Threaded & Solder Joint Cast Bronze (C84400)

